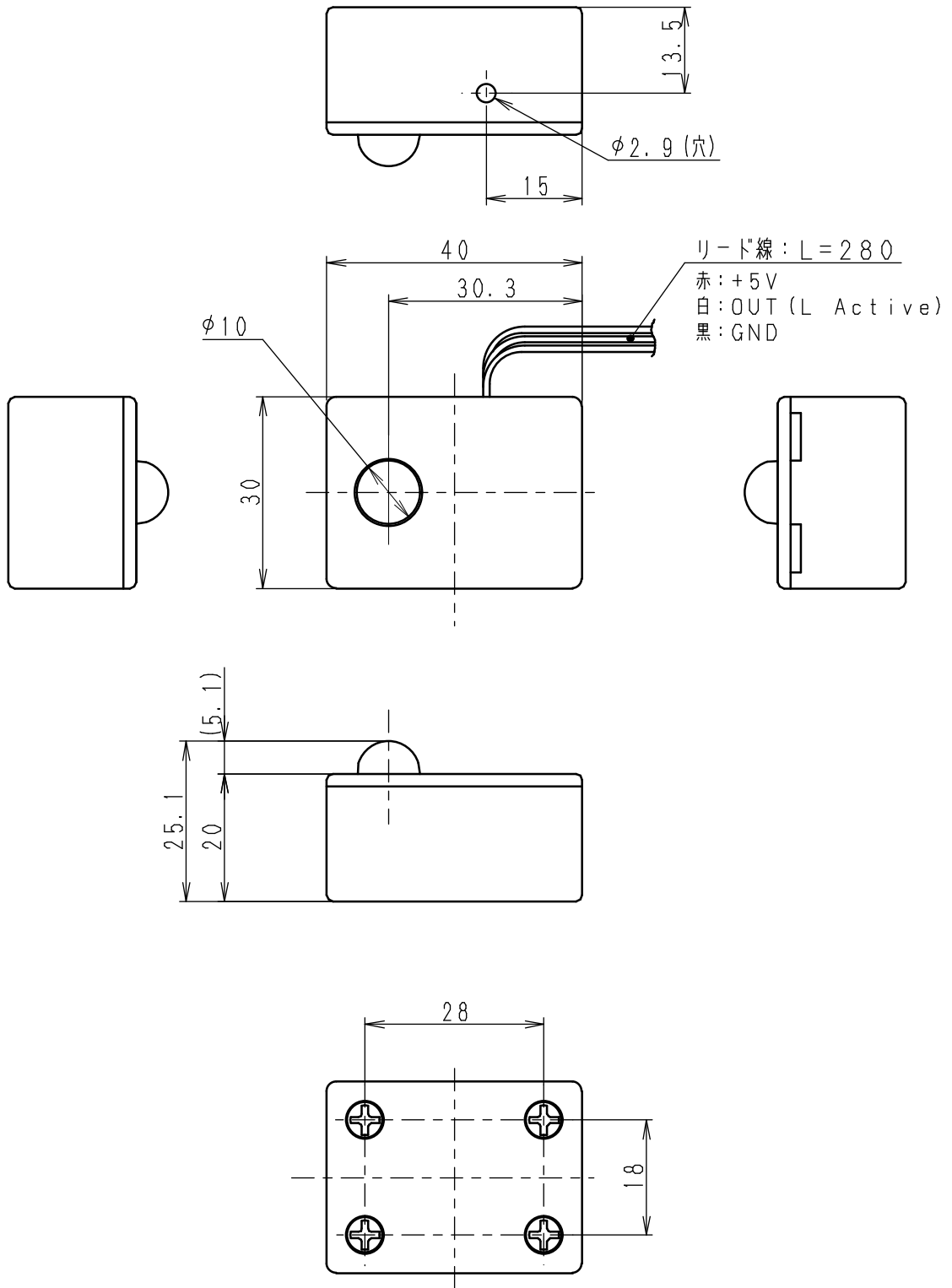


HERTZ



| UNIT | ANGLE | DESCRIPTION | HERTZ CORP. |
|--------|--------------|--------------|-------------|
| mm | 3rd | | |
| MODEL | HPB-006UK | 外形寸法図 | |
| ISSUED | ' 14. 09. 17 | DRAWING NO. | SHEET |
| | | H2C-01092-01 | 1/1 |